



Process Measure Control

ACCESSORIES FOR DEPTH AND LEVEL TRANSMITTERS

The PMC selection of accessories and options enhance the use of VersaLine submersible depth/level pressure transmitters. These options are designed to aid in the installation of the transmitters and ensure the best reliability is achieved. PMC has more than 20 years experience with the applications of submersible pressure transmitters in both wastewater and groundwater in deep wells and surface water. Accessories such as the termination enclosure, surge protection, cable hanger, sink weights, and various moisture protection features have proved invaluable to the long term reliability expected from the transmitters. Custom designed cable incorporating Kevlar strain relief, venting and other features is available in both polyurethane and FEP construction.

The VersaLine VL2000 features a sanitary flush design specifically for use in wastewater management and avoids clogging from solids build-up on the transmitter. The VL 3000, 4000, 5000 and MTM3000 Series have been designed for the long term monitoring of depth and level in deep wells, rivers, reservoirs and other applications involving surface water. The titanium construction which carries a 5 year corrosion warranty is especially valuable for oceanographic applications where the construction is unaffected by salt water environments. Please refer to appropriate data sheets.

Features

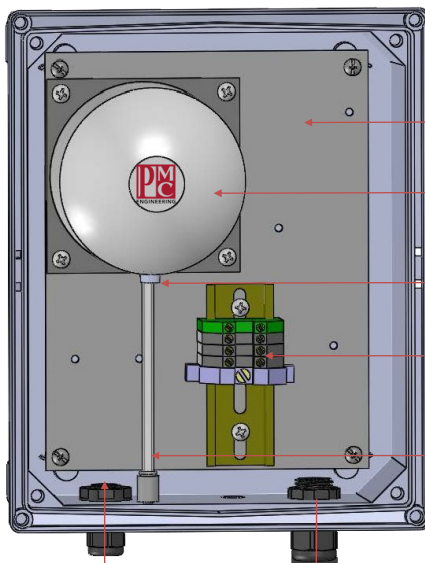
- Terminal Enclosures
- Cable Hanger
- Moisture Protection
- Surge Protection
- Lightning Arrestor
- Calibration Adaptor
- Sink Weights

For Use With

- All VL Series
- All VT Series
- MTM3000
- Level Measurements
- Ground Water

TE 11 TERMINATION ENCLOSURE

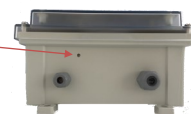
See separate datasheet for full details. Alternatively call factory for specific applications.



- **Polycarbonate enclosure**
UL Listed, UV rated and NEMA 4X - when fitted
- **Mounted Plate**
For additional accessories
- **MP-11 Moisture Protection**
Reference Volume providing zero maintenance
- **Connection to Transmitter Vent**
Hidden below Breather pipe
- **Electrical Termination Strip**
For connection to transmitter and external power/output source
- **Breather to MP-11**
To permit total sealing of enclosure

Transmitter cable including vent reference

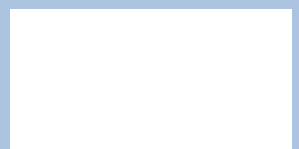
Cable to power source and monitoring system



Contact

PMC-STs, Inc.
11 Old Sugar Hollow Rd
Danbury, CT 06810 USA
sales@pmc1.com
Tel: 203-792-8686
Fax: 203-743-2051
www.pmc1.com

Represented by:



PMC-STs, Inc. adopts a continuous development program which sometimes necessitates specification changes without notice

Your depth and level specialists for Ground, Surface, Sea and Waste Water

ACCESSORIES DETAILS

<p>Dri-Box Termination Enclosure</p> 	<p>This provides a polycarbonate NEMA 4X rated termination enclosure for vented pressure transmitters. Separate gland nuts are incorporated for the electrical input and output and the PMC breather vent provides barometric reference without ingress of water. A field replaceable desiccant module features a moisture status indicator visible through the clear cover. Please specify TE 10 . A larger more comprehensive termination enclosure is available- see front page. Please specify TE 11.</p>
<p>Dri-Box Desiccant Module</p> 	<p>Replacement desiccant module for the TE 10 Dri-Box Termination Enclosure. Please specify DM 10.</p>
<p>Breather Vent Fitting</p> 	<p>Replacement vent for Dri-Box Termination Enclosures. Please specify VF/SS.</p>
<p>Cable Hanger</p> 	<p>This versatile hanger can be installed after the cable termination has been made and provides an appropriate support for transmitters hanging in wells with up to 5000' of cable. Please specify CH 10.</p>
<p>Surge Protector (Lightning Arrester)</p> 	<p>This DIN rail mounted surge protector is designed to protect PMC transmitters to a maximum discharge current of 20 kA. The module mounts within the TE 10 or TE 11 Dri-Box Termination Enclosure and must be ordered at the same time. Please specify SP 10.</p>
<p>Moisture Protection Vent Filter</p> 	<p>For vented gauge transmitters this provides an inline 6" x 3/4" dia. tube incorporating a desiccant which changes color when maintenance is required. Maintenance generally not required for 12 months. Please specify MP 10.</p>
<p>Moisture Protection Reference Volume</p> 	<p>For vented gauge transmitters this provides total isolation of the vent tube from atmosphere by utilization of a custom bladder which changes volume with barometric pressure. Maintenance free. Please specify MP 11.</p>
<p>Sink Weight-VL3000/4000 Series</p>	<p>This provides an extension to the nose cone for deep well installations where the transmitter weight needs to be increased. 1" or 3/4" dia., approximately 1lb. Please specify SW 3000 (for VL3000) or SW 4000 (for VL4000).</p>
<p>Sink Weight-VL2000 Series</p> 	<p>This provides a "cage" sink weight/anchor for transmitters installed on the bottom of wastewater or sewage lift tanks. 4" high x 4" dia. and approximately 6 lbs. Must be ordered together with VL2000. Please specify SW 2000.</p>
<p>Calibration Adaptors</p> 	<p>These provide a push-on adaptor to 1/4" NPT Female for pressure calibration. Suitable up to 30 psi. For higher pressures consult the factory. Please specify CA 10 (for VL2000/3000)</p>
<p>Nose Cone</p> 	<p>Delrin push-on nose cone for the VL2000 Series provides large orifices to accommodate flow. 1.2" diameter. Please specify NC 2000 (for VL2000). Please specify NC 2000 (for VL2000) NC 3000 (for VL3000) NC 4000 (for VL4000).</p>
<p>Polyurethane Cable</p> 	<p>Incorporated as standard on all VersaLine depth/level transmitters. The custom designed .29" dia. polyurethane sheathed cable incorporates 4 x 24 AWG conductors, vent tube and Kevlar strain relief with minimum breaking strength of 200 lbs. Single lengths up to 5000 feet available and supplied with the VL Series transmitters. Please specify when ordering VL Series.</p>
<p>FEP Cable</p>	<p>Available for all VersaLine transmitters. Specification is identical to the polyurethane cable except the outer sheath is FEP, selected for its flexibility, durability and chemical compatibility. Please specify when ordering VL Series</p>

Process Measure Control

Sensors for

- Pressure
- Level
- Vacuum
- Humidity
- Temperature
- Force
- Position

Level Sensors

PMC offers a wide range of depth and level transmitters for which these accessories are designed.

- VL1000 - NPT
- VL2000 - Open face
- VL3000 - 1" dia. std.
- VL4000 - 3/4" dia.
- VL5000 - 1" premium
- MTM3000 - 3/8" dia.

PMC is

- Engineering Driven
- Confidential
- Experienced
- Responsive
- Dynamic
- Friendly

Your depth and level specialists for Ground, Surface, Sea and Waste Water