



KH SERIES KH21 & KH22 NON-CONTACT ROTARY POSITION SENSOR

The KH21/22 Series of non-contact rotary position sensors are designed to withstand the harsh environments of motorsport and on-vehicle automotive testing applications.

By using a proven 'Hall Effect' technology, the KH21/22 offers high performance and reliability at temperatures up to +300°F. Alternatively, they are capable of operational excellence in cold environments down to -15°F.

With a small and lightweight 0.89" diameter body, the KH21/22 Sensor is ideal for many applications within both motorsport and automotive testing and development programs. Typical applications include: throttle, gearbox and pedal position.

Available in either Single (3 wire) or Dual (6 wire) outputs, the modular design allows for various mounting arrangements with different Shaft/Drive types.

Sensors For Motorsport

Features

- Compact Design
- ±0.1% Linearity
- 300°F Operation
- Lightweight - 0.7oz
- IP65 or IP67 Sealing

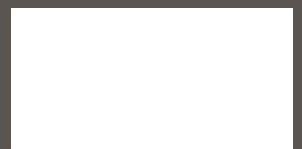
TECHNICAL SPECIFICATIONS

Electrical Angles (Degrees)	30°, 60°, 120°, 240°, 360°, Custom Angles Available
Power Supply	5V or 6-30Vdc (Max 32mA) Reverse Polarity Protected
Output	Please see Part Number Configurator - page 2 for options
Output Centre Position (Voltage)	2.5V when shaft identification is in line with the cable exit
Resolution	12 Bit
Accuracy, Linearity	±0.1%
Accuracy, Hysteresis	<0.1°
Update Rate	5KHz
Mechanical Life	> 25 Million Cycles at Max 150RPM
Operating Temperature Range	-15°F to 300°F (-25°C to +150°C)
Housing Material	Aluminum
Shaft Material	Stainless Steel
Track Technology	Hall Effect
Protection Class	IP65 or IP67
Weight	0.7oz (including cable)
Options	Cable Length, Labelling, Mounting Flange & Shaft Drive

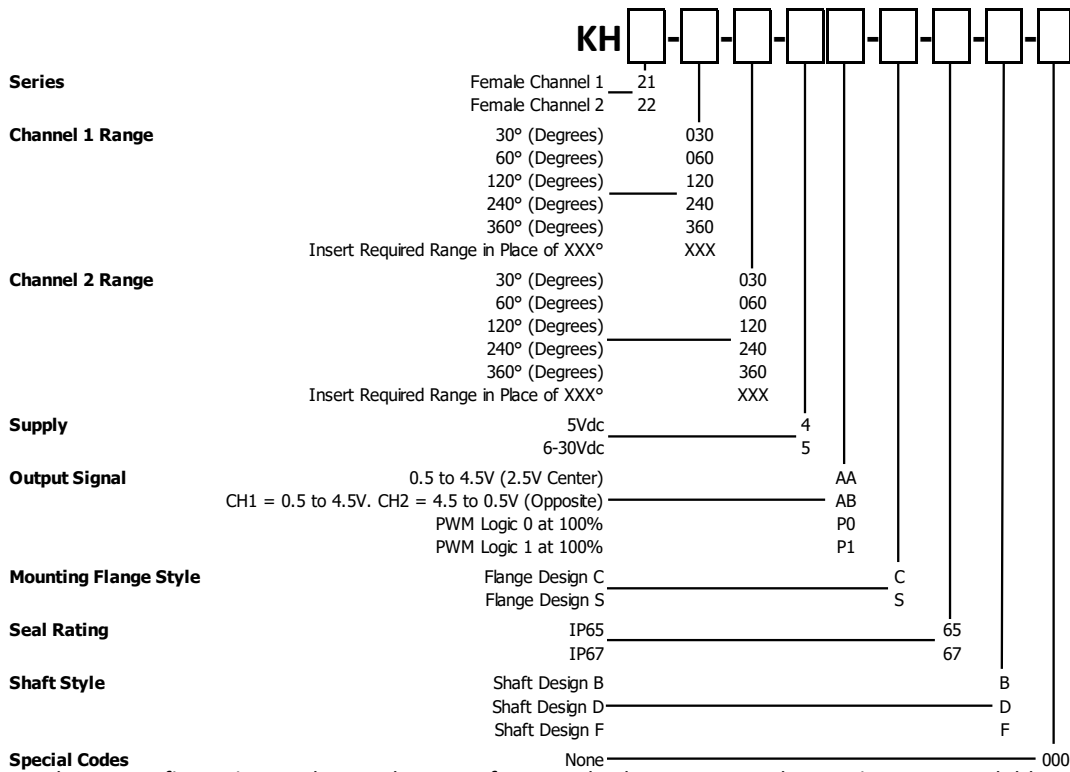
Applications

- Throttle Position
- Steering Angle
- Pedal Position
- Gear Position
- Aero Surfaces
- Actuators

sales@pmc1.com
www.kasensors.com
Represented by:



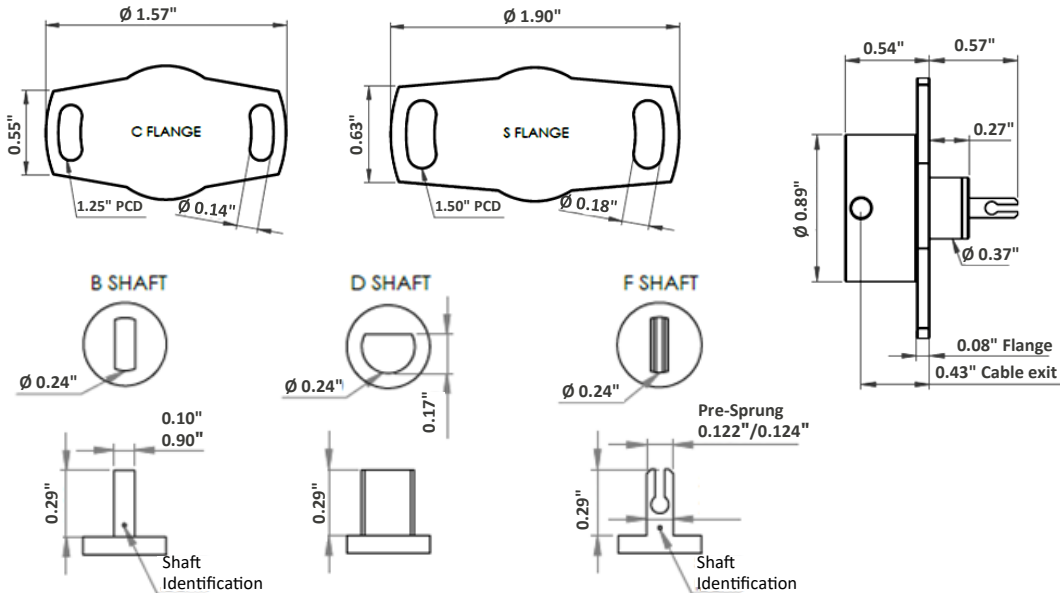
PART NUMBER CONFIGURATOR



The KA configuration tool is used to specify a standard KA Sensor, other options are available.

MECHANICAL DETAILS

Dimensions in inches



ELECTRICAL DETAILS

	+Ve Supply	0V Supply	Signal
KH21-Single Output	Red	Black	Yellow
KH22-Dual Output	Brown	Blue	White

*Sense
Analyze
Control*

Sensors For:

- Temperature
- Acceleration
- Pressure
- Position
- Torque
- Speed
- Angle
- Force

Services For:

- Data Logging
- Telemetry
- Controls
- Wiring

Contact Us

KA Sensors
 Division of
 PMC Engineering LLC
 11 Old Sugar Hollow Rd
 Danbury, CT 06810
 USA

Tel: 203-792-8686
 Fax: 203-743-2051

sales@pmc1.com
 www.kasensors.com