



ASLF SERIES BAROMETRIC/MAP PRESSURE TRANSDUCER

The ASLF Series of cost effective High Performance Pressure Transducers have been designed for Barometric and MAP Pressures in demanding motorsport and automotive applications; ideal for high precision data acquisition or control systems. These transducers can also be installed directly onto vehicles, as part of a test stand or dyno.

Offering a high level of reliability and endurance the ASLF is protected against the high vibration, shock and high temperatures found in motorsport. By using a sealed sensing element, the ASLF is compatible with fluids and gases found in most race applications.

With a modular construction and programmable amplifier, this provides a fast delivery time for standard and custom configurations. Pressure ranges are available between 1 to 5 Bar in Absolute reference.

Industry standard 3-wire electrical connections allow configuration with most common ECU's and data logging systems.

The ASLF Series are race proven in many formula around the world; offering a cost effective solutions for professional engineers.

Sensors For Motorsport

Features

- Lightweight
- Flange Mounted
- 1 to 5 Bar Range
- Rugged Construction
- Amplified Output
- $\pm 0.08\%$ Accuracy

TECHNICAL SPECIFICATIONS

Pressure Reference	Absolute
Standard Pressure Ranges (Bar)	1, 1.2, 2, 3, 4, 5 (Compound Ranges Available)
Proof Pressure (Over range)	300% of Range
Burst Pressure	>1000% of Range
Accuracy	$\pm 0.08\%$ FS Combined Linearity & Hysteresis (CNLH)
Thermal Accuracy	TEB for Compensated Range $< \pm 0.25\%$ FS
Output	0.5V to 4.5V ($\pm 0.5\%$)
Supply	5V ($\pm 0.5V$) Ratiometric or 8-16Vdc
Operating Temperature Range	-40°C to +150°C
Compensated Temperature Range	0°C to +125°C
Construction	Black Anodised Aluminium, Viton and Stainless Steel
Electrical Connection	50cm 26AWG, 55Spec Wire +DR25 Sleeve
Process Connection	Flange (Viton O-Ring Supplied), 4mm Diameter Port
Protection Class	IP67
EMC Protection & Vibration	EN E50082-1 and Mil-Std-810C, Curve L, 20G
Weight	38g (Including Cable)
Options	Cable Spec, Connector Fitted & Labelling

Ka Sensors adopts a continuous development program which sometimes necessitates specification changes without notice.

Applications

- Aerodynamics
- Barometric
- Boost
- MAP

kasensors.com

sales@kasensors.com

+44(0)1476 568057

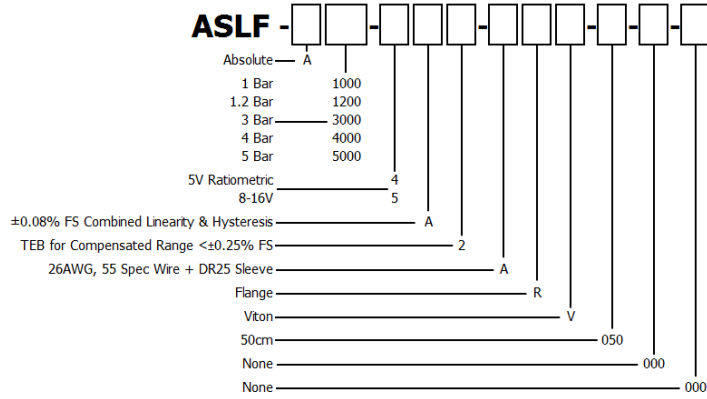
ASLF 06.20

PART NUMBER CONFIGURATOR

Pressure Reference
Pressure Range

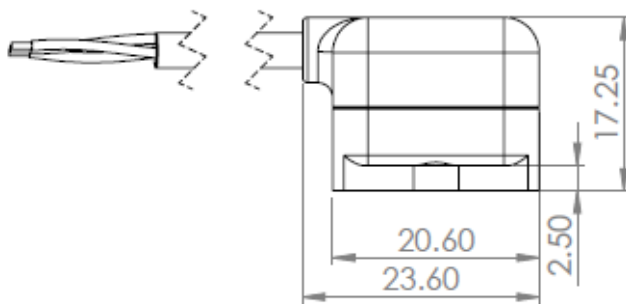
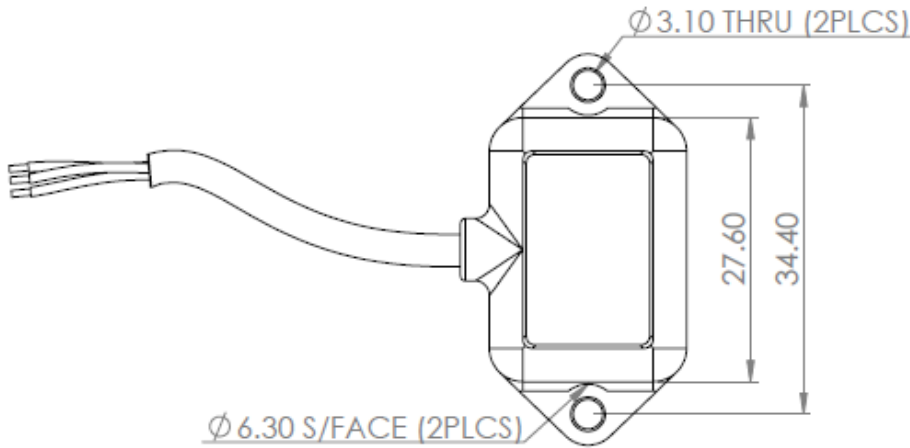
Supply Voltage

Accuracy (CNLH)
Accuracy (Thermal Shift)
Electrical Connection
Process Connection
O-Ring Material (Internal)
Cable Length
Special Code 1
Special Code 2



The KA configuration tool is used to specify a standard KA Sensor, other options are available.

MECHANICAL DETAILS



CONNECTION DETAILS

+Ve Supply	0V Supply	Signal
Red	Black	White

*Sense
Analyse
Control*

Services for:

- Data Logging
- Telemetry
- Controls
- Wiring

Contact us

KA Sensors Ltd
Unit 14 & 15
The Old Malthouse
Springfield Road
Grantham
Lincolnshire
United Kingdom
NG31 7BG

kasensors.com
sales@kasensors.com
+44(0)1476 568057

ASLF 06.20