



ASMPB SERIES STANDARD METRI-PACK PRESSURE TRANSDUCER

The ASMPB Series of standard pressure transducers have been designed for the detection of fluid and air pressures in demanding motorsport and on-vehicle automotive applications. Ideal for high precision data acquisition or control systems.

These transducers can also be installed directly onto vehicles, or as part of a test stand or dyno. Offering a high level of reliability and endurance, the ASMPB Series is protected against high vibration, shock and high temperatures found in motorsport. With a modular construction and programmable amplifier, this provides a large stock available of standard parts for fast delivery.

Pressure ranges are available between 30 to 75 psi in Absolute reference. Industry standard Metri-Pack electrical connections allow configuration with most common ECU's and data logging systems.

The ASMP Series are race proven and can be found in many race formula around the world, offering a cost effective solution for professional engineers.

Sensors For Motorsport

Features

- Barbed Hose Fitting
- 30 to 75 psi
- Lightweight - 1.2oz
- 5V or 8-16 Vdc supply
- ±0.5% Accuracy

TECHNICAL SPECIFICATIONS

Pressure Reference	Absolute
Standard Pressure Ranges (psi)	30 or 75
Proof Pressure (overload)	150% of range
Burst Pressure	>300% of range
Accuracy	±0.5% FS combined linearity & hysteresis (CNLH)
Thermal Effects	Zero ±0.02% FS/°F (Sensitivity ±0.02% of reading /°F)
Output	0.5V to 4.5V (±0.5%)
Power Supply	5V to 40Vdc (Less than 20mA consumption)
Operating Temperature Range	-5°F to 275°F (-20°C to +135°C)
Compensated Temperature Range	32°F to 250°F (0°C to +125°C)
Construction	Black Anodized Aluminum, FEP and Viton internal O-ring
Electrical Connection	Metri-Pack (Packard) 3-Pin 150 Series Connector
Process Connection (Thread Size)	Please see Part Number Configurator - page 2
Protection Class	IP67
EMC Protection & Vibration	EN 50082-1 and Mil-Std-810C, curve L, 20G
Weight	1.3oz

Applications

- Low Pressure
- Barometric
- Boost
- MAP

sales@pmc1.com
 www.kasensors.com
 Represented by:

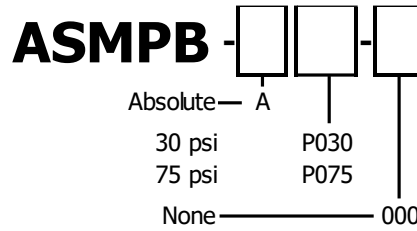


PART NUMBER CONFIGURATOR

Pressure Reference

Pressure Range

Special Code

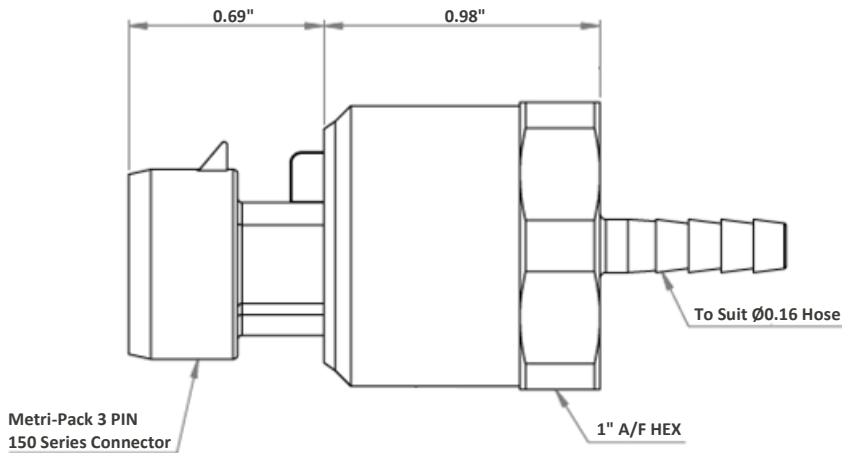


Sense
Analyze
Control

The KA configuration tool is used to specify a standard KA Sensor, other options are available.

MECHANICAL DETAILS

Dimensions in inches



Sensors For:

- Temperature
- Acceleration
- Pressure
- Position
- Torque
- Speed
- Angle
- Force

Services For:

- Data Logging
- Telemetry
- Controls
- Wiring

Contact Us

KA Sensors
Division of
PMC Engineering LLC
11 Old Sugar Hollow Rd
Danbury, CT 06810
USA

Tel: 203-792-8686

Fax: 203-743-2051

sales@pmcl.com

ELECTRICAL DETAILS

